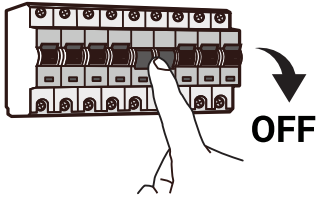
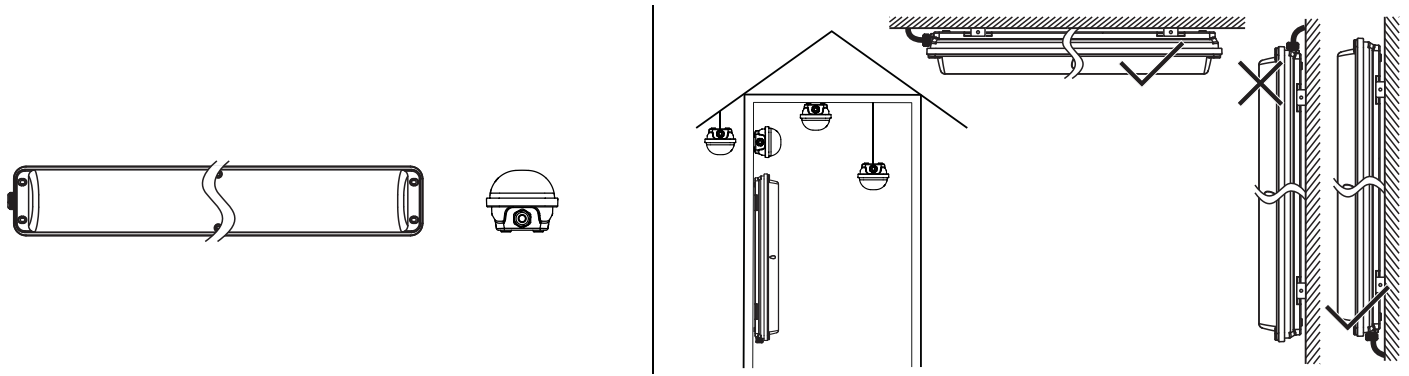


# INSTALLATION INSTRUCTIONS

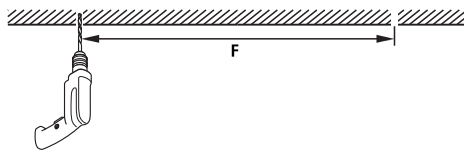


OFF



**WARNING**

Switch off the power supply before installation. Installation should only be undertaken by a qualified electrician.



1. Drill a 6mm diameter hole



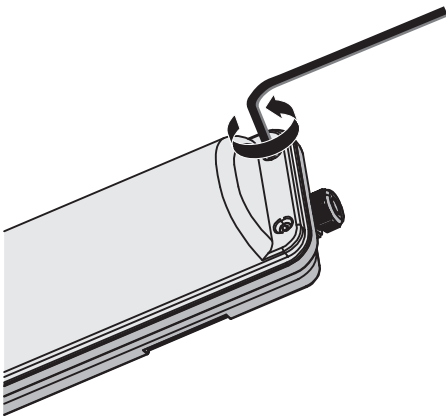
3. Fix the luminaire with the brackets



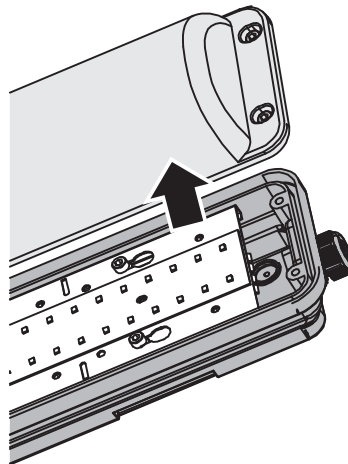
2. Install the brackets using accessories provided (or other suitable fixings)



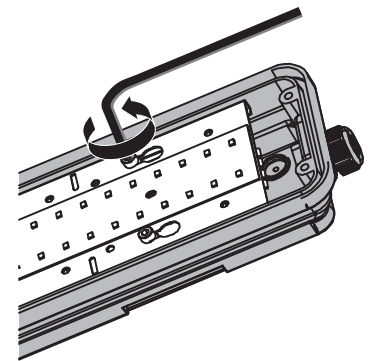
4. Finish installation



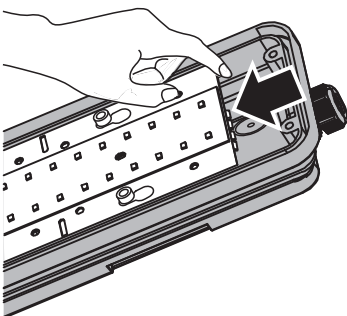
5. Loosen the cover screws using an allen key



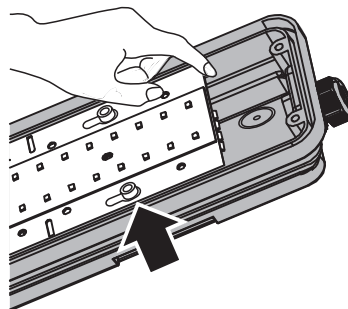
6. Remove the diffuser



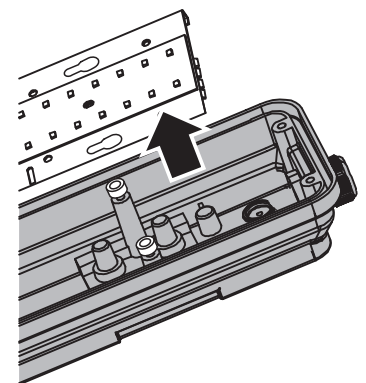
7. Loosen the LED module screws



8. Move the LED module



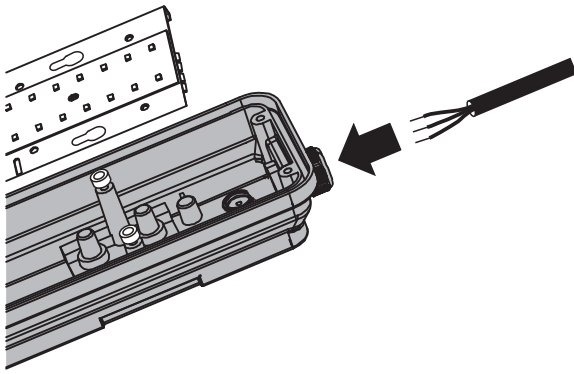
9. Align the LED module & screws as pictured.



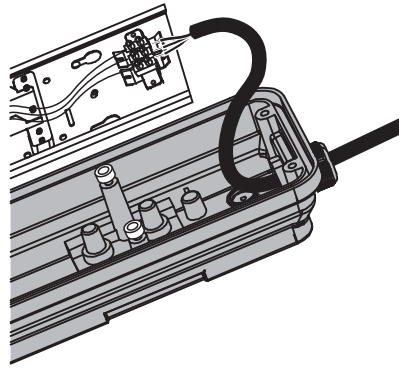
9. Take out the LED module



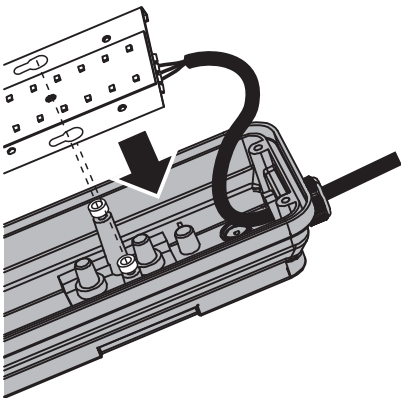
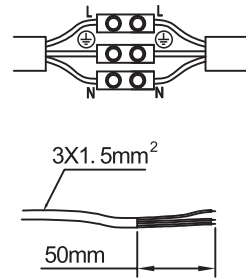
# INSTALLATION INSTRUCTIONS



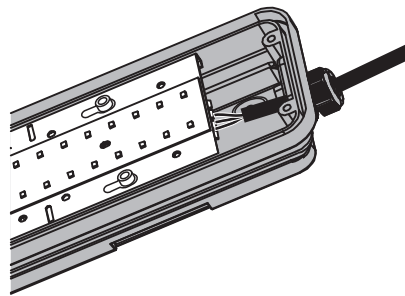
10. Bring the cable in through the cable gland



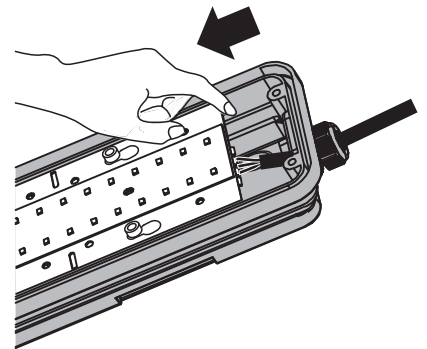
11. Connect L to L, N to N,  $\ominus$  to  $\ominus$



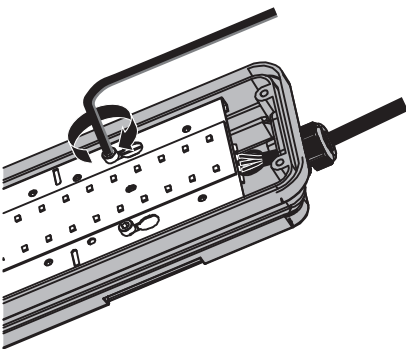
12. Replace the LED module



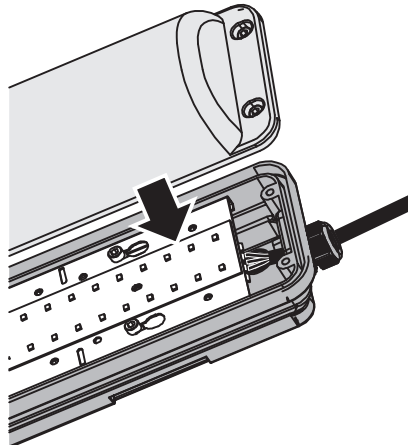
13. Re-align the LED module & screws as pictured.



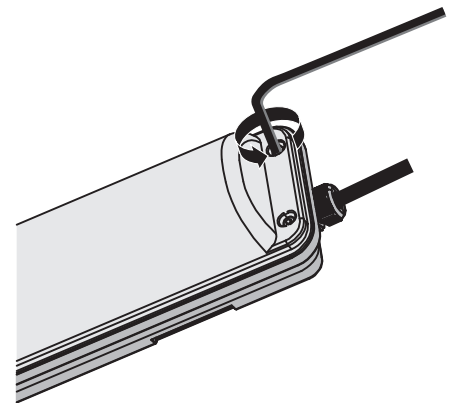
14. Move the LED module back to its original position



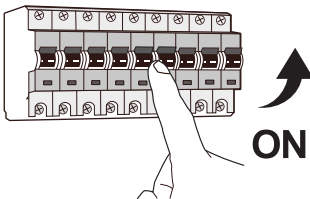
15. Re-fasten the screws



16. Replace the diffuser

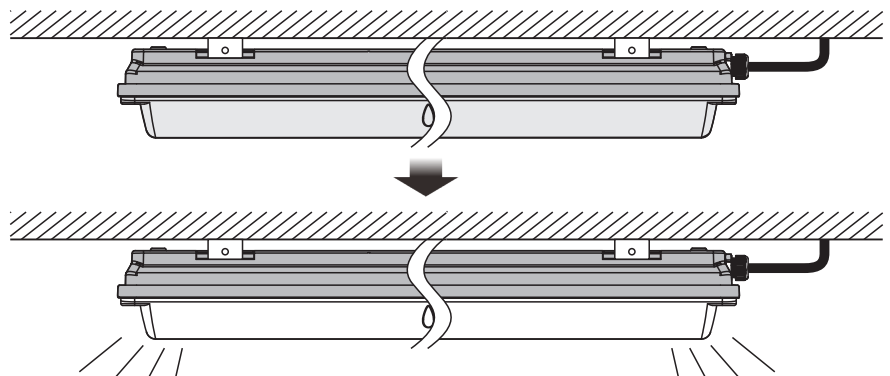


17. Re-tighten the cover screws



**! WARNING**

Switch off the power supply before installation. Installation should only be undertaken by a qualified electrician.



ADVANCED LIGHTING TECHNOLOGIES  
 AUSTRALIA | adlt.com.au | +61 3 9800 5600  
 NEW ZEALAND | adlt.co.nz | +64 07 579 0163  
 SINGAPORE | adlt.com.sg | +65 6844 2338

AC220-240V 50Hz

IP66

