

APOLLO

G2 | G2 INDUSTRY | REMADE

HOUSING Fully sealed housing made of white, glass fiber reinforced polyester, hardly flammable, substantially acid and alkali resistant or REMADE.

LAMP HOLDER END PIECES With PRACHT EASY CONNECT (PEC) System for fast one-man-mounting via encoded plug-in connection.

LAMP COVER With parabolic mirror reflector, swivelling, made of PRACHTOPAL® (impact resistant), clear PMMA (deep 30°) or REMADE.

SEALS Short, ageing resistant silicone seals.

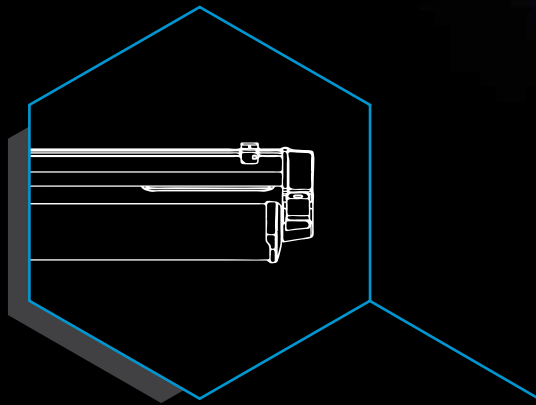
ELECTRICAL COMPONENTS Thermic decoupled high performance LEDs and converters.

THROUGH-WIRING 7x2.5 mm² max. available.

INSTALLATION Variable mounting points due to PRACHT-CLIP-SYSTEM made of stainless steel. Suitable for ceiling, pendant and horizontal wall mounting. Optionally available as a recessed version.

FIELDS OF APPLICATION Industrial halls, logistic centers, cold storage facilities, workshops, maintenance and production halls.

TECHNICAL DETAILS See all technical and lighting data concerning our luminaires on pracht.com



TIME IS MONEY

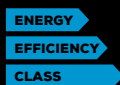
Time-saving thanks to the PEC-System and optional Plug'n Play (pnp) Quick Exchange Converter.

5

YEAR
WARRANTY



UP TO **100.000 h**
LIFETIME



CONTAINS A LIGHT
SOURCE OF ENERGY
EFFICIENCY CLASS A

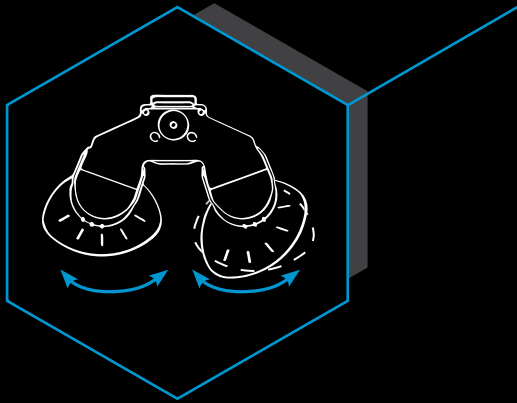
IP65



REMADESCORE



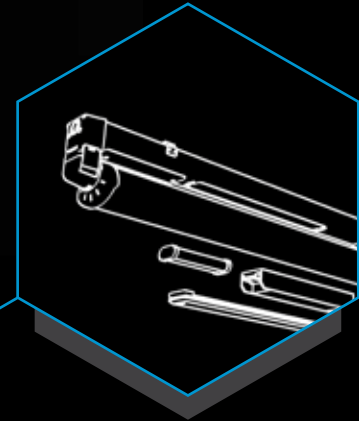
FROM **-45 °C TO +65 °C**
DEPENDING ON MODEL



DETERMINED

Swivelling reflectors ensure perfect illumination.

PRACHT[®]



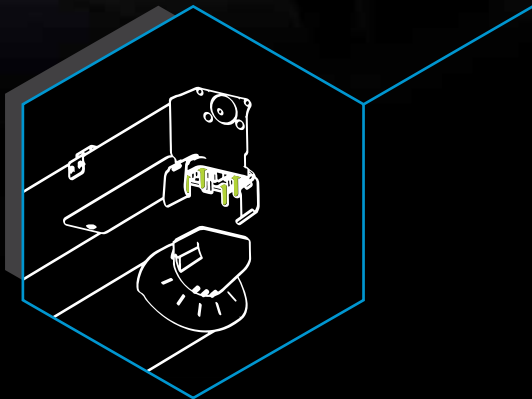
VERSATILE

A matter of definition - Through-wiring, sensors, emergency light, everything is possible.



PRACHT EASY CONNECT (PET) SYSTEM

Revolutionized guided plug-in connection for one-man-mounting ensuring the simplest reflector installation.



FROM EVERYDAY TO EXTREME - THE RIGHT SEGMENT FOR EVERY REQUIREMENT

ECO LINE

BASIC LINE

PRO LINE

FOR EVERYDAY LIFE

Cost-effective and easy to assemble

FOR PROFESSIONALS

Industrial quality with 5 year PRACHT warranty

FOR THE EXTREME

Customised solutions & highest requirements



APOLLO G2 from -20° to +45° C, 1260 mm length, Ra > 80, color temperature 4000 K, with one reflector (180° swivelling).

	Power	Luminous flux	Wide 90°	Medium 80°	Deep 60°	Narrow 30°	Weight
ON/OFF	1x14 W	2600 lm	94 * 0014w	94 * 0014m	94 * 0014n	94 * 1014d	2,7 kg
	1x22 W	3700 lm	94 * 0024w	94 * 0024m	94 * 0024n	94 * 1024d	2,7 kg
	1x28 W	4800 lm	94 * 0034w	94 * 0034m	94 * 0034n	94 * 1034d	2,7 kg
	1x36 W	5800 lm	94 * 0044w	94 * 0044m	94 * 0044n	94 * 1044d	2,7 kg
	1x51 W	8100 lm	94 * 0054w	94 * 0054m	94 * 0054n	94 * 1054d	2,7 kg
DIM-DALI	1x14 W	2600 lm	94 * 0019w	94 * 0019m	94 * 0019n	94 * 1019d	2,7 kg
	1x22 W	3700 lm	94 * 0029w	94 * 0029m	94 * 0029n	94 * 1029d	2,7 kg
	1x28 W	4800 lm	94 * 0039w	94 * 0039m	94 * 0039n	94 * 1039d	2,7 kg
	1x36 W	5800 lm	94 * 0049w	94 * 0049m	94 * 0049n	94 * 1049d	2,7 kg
	1x51 W	8100 lm	94 * 0059w	94 * 0059m	94 * 0059n	94 * 1059d	2,7 kg


APOLLO G2 from -20° to +45° C, 1260 mm length, Ra > 80, color temperature 4000 K, with two reflectors (each 160° swivelling).

	Power	Luminous flux	Wide 90°	Medium 80°	Deep 60°	Narrow 30°	Weight
ON/OFF	2x14 W	5200 lm	94 * 0074w	94 * 0074m	94 * 0074n	94 * 1074d	4,4 kg
	2x21 W	7400 lm	94 * 0084w	94 * 0084m	94 * 0084n	94 * 1084d	4,4 kg
	2x28 W	9600 lm	94 * 0094w	94 * 0094m	94 * 0094n	94 * 1094d	4,4 kg
	2x36 W	11600 lm	94 * 0004w	94 * 0004m	94 * 0004n	94 * 1004d	4,4 kg
	2x51 W	16200 lm	94 * 00a4w	94 * 00a4m	94 * 00a4n	94 * 1004d	4,4 kg
DIM-DALI	2x14 W	5200 lm	94 * 0079w	94 * 0079m	94 * 0079n	94 * 1079d	4,4 kg
	2x21 W	7400 lm	94 * 0089w	94 * 0089m	94 * 0089n	94 * 1089d	4,4 kg
	2x28 W	9600 lm	94 * 0099w	94 * 0099m	94 * 0099n	94 * 1099d	4,4 kg
	2x36 W	11600 lm	94 * 0009w	94 * 0009m	94 * 0009n	94 * 1009d	4,4 kg
	2x51 W	16200 lm	94 * 00a9w	94 * 00a9m	94 * 00a9n	94 * 10a9d	4,4 kg

APOLLO G2 from -20° to +45° C, 1560 mm length, Ra > 80, color temperature 4000 K, with one reflector (180° swivelling).

	Power	Luminous flux	Wide 90°	Medium 80°	Deep 60°	Narrow 30°	Weight
ON/OFF	1x27 W	4700 lm	 94 * 0025w	94 * 0025m	94 * 0025n	94 * 1025d	3,1 kg
	1x36 W	6000 lm	94 * 0035w	94 * 0035m	94 * 0035n	94 * 1035d	3,1 kg
	1x44 W	7200 lm	 94 * 0045w	94 * 0045m	94 * 0045n	94 * 1045d	3,1 kg
	1x64 W	10200 lm	94 * 0055w	94 * 0055m	94 * 0055n	94 * 1055d	3,1 kg
	1x86 W	12500 lm	94 * 0065w	94 * 0065m	94 * 0065n	94 * 1065d	3,1 kg
DIM-DALI	1x99 W	15000 lm	94 * 00c5w	94 * 00c5m	94 * 00c5n	94 * 10c5d	3,1 kg
	1x27 W	4700 lm	94 * 0020w	94 * 0020m	94 * 0020n	94 * 1020d	3,1 kg
	1x36 W	6000 lm	94 * 0030w	94 * 0030m	94 * 0030n	94 * 1030d	3,1 kg
	1x44 W	7200 lm	94 * 0040w	94 * 0040m	94 * 0040n	94 * 1040d	3,1 kg
	1x64 W	10200 lm	94 * 0050w	94 * 0050m	94 * 0050n	94 * 1050d	3,1 kg
	1x86 W	12500 lm	94 * 0060w	94 * 0060m	94 * 0060n	94 * 1060d	3,1 kg
	1x99 W	15000 lm	94 * 00c0w	94 * 00c0m	94 * 00c0n	94 * 10c0d	3,1 kg

APOLLO G2 from -20° to +45° C, 1560 mm length, Ra > 80, color temperature 4000 K, with two reflectors (each 160° swivelling).

	Power	Luminous flux	Wide 90°	Medium 80°	Deep 60°	Narrow 30°	Weight
ON/OFF	2x27 W	9400 lm	94 * 0085w	94 * 0085m	94 * 0085n	94 * 1085d	4,7 kg
	2x36 W	12000 lm	94 * 0095w	94 * 0095m	94 * 0095n	94 * 1095d	4,7 kg
	2x44 W	14400 lm	 94 * 0005w	94 * 0005m	94 * 0005n	94 * 1005d	4,7 kg
	2x64 W	20400 lm	94 * 00a5w	94 * 00a5m	94 * 00a5n	94 * 10a5d	4,7 kg
	2x86 W	25000 lm	94 * 00b5w	94 * 00b5m	94 * 00b5n	94 * 10b5d	4,7 kg
	2x99 W	30000 lm	94 * 00d5w	94 * 00d5m	94 * 00d5n	94 * 10d5d	4,7 kg
DIM-DALI	2x27 W	9400 lm	94 * 0080w	94 * 0080m	94 * 0080n	94 * 1080d	4,7 kg
	2x36 W	12000 lm	94 * 0090w	94 * 0090m	94 * 0090n	94 * 1090d	4,7 kg
	2x44 W	14400 lm	94 * 0000w	94 * 0000m	94 * 0000n	94 * 1000d	4,7 kg
	2x64 W	20400 lm	94 * 00a0w	94 * 00a0m	94 * 00a0n	94 * 10a0d	4,7 kg
	2x86 W	25000 lm	94 * 00b0w	94 * 00b0m	94 * 00b0n	94 * 10b0d	4,7 kg
	2x99 W	30000 lm	94 * 00d0w	94 * 00d0m	94 * 00d0n	94 * 10d0d	4,7 kg

APOLLO G2 INDUSTRY from -45° to +65° C, 1260 mm length, color temperature 4000 K, with one reflector (180° swivelling).

	Power	Luminous flux	Wide 90°	Medium 80°	Deep 60°	Narrow 30°	Weight	Temperature
ON/OFF	1x21 W	3700 lm	94 * 0224w	94 * 0224m	94 * 0224n	94 * 0224d	2,7 kg	-45° to +65° C
	1x31 W	4800 lm	94 * 0234w	94 * 0234m	94 * 0234n	94 * 0234d	2,7 kg	-45° to +65° C
	1x38 W	5800 lm	94 * 0244w	94 * 0244m	94 * 0244n	94 * 0244d	2,7 kg	-45° to +60° C
	1x55 W	8100 lm	94 * 0254w	94 * 0254m	94 * 0254n	94 * 0254d	2,7 kg	-45° to +55° C
DIM-DALI	1x21 W	3700 lm	94 * 0229w	94 * 0229m	94 * 0229n	94 * 0229d	2,7 kg	-45° to +65° C
	1x31 W	4800 lm	94 * 0239w	94 * 0239m	94 * 0239n	94 * 0239d	2,7 kg	-45° to +65° C
	1x38 W	5800 lm	94 * 0249w	94 * 0249m	94 * 0249n	94 * 0249d	2,7 kg	-45° to +60° C
	1x55 W	8100 lm	94 * 0259w	94 * 0259m	94 * 0259n	94 * 0259d	2,7 kg	-45° to +55° C

APOLLO G2 INDUSTRY from -45° to +65° C, 1260 mm length, color temperature 4000 K, with two reflectors (each 160° swivelling).

	Power	Luminous flux	Wide 90°	Medium 80°	Deep 60°	Narrow 30°	Weight	Temperature
ON/OFF	2x21 W	7400 lm	94 * 0284w	94 * 0284m	94 * 0284n	94 * 0284d	3,7 kg	-45° to +65° C
	2x31 W	9600 lm	94 * 0294w	94 * 0294m	94 * 0294n	94 * 0294d	3,7 kg	-45° to +60° C
	2x38 W	11600 lm	94 * 0204w	94 * 0204m	94 * 0204n	94 * 0204d	3,7 kg	-45° to +60° C
	2x55 W	16200 lm	94 * 02a4w	94 * 02a4m	94 * 02a4n	94 * 02a4d	3,7 kg	-45° to +50° C
DIM-DALI	2x21 W	7400 lm	94 * 0289w	94 * 0289m	94 * 0289n	94 * 0289d	3,7 kg	-45° to +65° C
	2x31 W	9600 lm	94 * 0299w	94 * 0299m	94 * 0299n	94 * 0299d	3,7 kg	-45° to +60° C
	2x38 W	11600 lm	94 * 0209w	94 * 0209m	94 * 0209n	94 * 0209d	3,7 kg	-45° to +60° C
	2x55 W	16200 lm	94 * 02a9w	94 * 02a9m	94 * 02a9n	94 * 02a9d	3,7 kg	-45° to +50° C

APOLLO G2 INDUSTRY from -45° to +65° C, 1560 mm length, color temperature 4000 K, with one reflector (180° swivelling).

	Power	Luminous flux	Wide 90°	Medium 80°	Deep 60°	Narrow 30°	Weight	Temperature
ON/OFF	1x29 W	4700 lm	94 * 0225w	94 * 0225m	94 * 0225n	94 * 0225d	3,1 kg	-45° to +65° C
	1x38 W	6000 lm	94 * 0235w	94 * 0235m	94 * 0235n	94 * 0235d	3,1 kg	-45° to +65° C
	1x46 W	7200 lm	94 * 0245w	94 * 0245m	94 * 0245n	94 * 0245d	3,1 kg	-45° to +60° C
	1x70 W	10200 lm	94 * 0255w	94 * 0255m	94 * 0255n	94 * 0255d	3,1 kg	-45° to +50° C
DIM-DALI	1x83 W	12500 lm	94 * 0265w	94 * 0265m	94 * 0265n	94 * 0265d	3,1 kg	-45° to +50° C
	1x29 W	4700 lm	94 * 0220w	94 * 0220m	94 * 0220n	94 * 0220d	3,1 kg	-45° to +65° C
	1x38 W	6000 lm	94 * 0230w	94 * 0230m	94 * 0230n	94 * 0230d	3,1 kg	-45° to +65° C
	1x46 W	7200 lm	94 * 0240w	94 * 0240m	94 * 0240n	94 * 0240d	3,1 kg	-45° to +65° C
	1x70 W	10200 lm	94 * 0250w	94 * 0250m	94 * 0250n	94 * 0250d	3,1 kg	-45° to +65° C
	1x83 W	12500 lm	94 * 0260w	94 * 0260m	94 * 0260n	94 * 0260d	3,1 kg	-45° to +65° C

APOLLO G2 INDUSTRY from -45° to +65° C, 1560 mm length, color temperature 4000 K, with two reflectors (each 160° swivelling).

	Power	Luminous flux	Wide 90°	Medium 80°	Deep 60°	Narrow 30°	Weight	Temperature
ON/OFF	2x29 W	9400 lm	94 * 0285w	94 * 0285m	94 * 0285n	94 * 0285d	4,2 kg	-45° to +65° C
	2x38 W	12000 lm	94 * 0295w	94 * 0295m	94 * 0295n	94 * 0295d	4,2 kg	-45° to +60° C
	2x46 W	14400 lm	94 * 0205w	94 * 0205m	94 * 0205n	94 * 0205d	4,2 kg	-45° to +55° C
DIM-DALI	2x70 W	20400 lm	94 * 02a5w	94 * 02a5m	94 * 02a5n	94 * 02a5d	4,2 kg	-45° to +50° C
	2x83 W	25000 lm	94 * 02b5w	94 * 02b5m	94 * 02b5n	94 * 02b5d	4,2 kg	-45° to +50° C
	2x29 W	9400 lm	94 * 0280w	94 * 0280m	94 * 0280n	94 * 0280d	4,2 kg	-45° to +65° C
	2x38 W	12000 lm	94 * 0290w	94 * 0290m	94 * 0290n	94 * 0290d	4,2 kg	-45° to +60° C
	2x46 W	14400 lm	94 * 0200w	94 * 0200m	94 * 0200n	94 * 0200d	4,2 kg	-45° to +55° C
	2x70 W	20400 lm	94 * 02a0w	94 * 02a0m	94 * 02a0n	94 * 02a0d	4,2 kg	-45° to +50° C
	2x83 W	25000 lm	94 * 02b0w	94 * 02b0m	94 * 02b0n	94 * 02b0d	4,2 kg	-45° to +50° C



APOLLO REMADE with one reflector (180° swivelling), 600 mm length, $R_a > 80$, color temperature 4000 K, Ta: -20°C ... +45°C.

ON/OFF	Power	Luminous flux	Wide 90°	Medium 80°	Deep 60°	Weight
		1x21 W	3000 lm	94 * 5042w	94 * 5042m	94 * 5042n
	1x21 W	3000 lm	94 * 5047w	94 * 5047m	94 * 5047n	2,0 kg

APOLLO REMADE with one reflector (180° swivelling), 1200 mm length, $R_a > 80$, color temperature 4000 K, Ta: -20°C ... +45°C.

DIM-DALI	Power	Luminous flux	Wide 90°	Medium 80°	Deep 60°	Weight
		1x36 W	5800 lm	94 * 5044w	94 * 5044m	94 * 5044n
	1x36 W	5800 lm	94 * 5049w	94 * 5049m	94 * 5049n	2,7 kg

APOLLO REMADE with two reflectors (180° swivelling), 1200 mm length, $R_a > 80$, color temperature 4000 K, Ta: -20°C ... +45°C.

ON/OFF	Power	Luminous flux	Wide 90°	Medium 80°	Deep 60°	Weight
		2x36 W	11600 lm	94 * 5004w	94 * 5004m	94 * 5004n
	2x36 W	11600 lm	94 * 5009w	94 * 5009m	94 * 5009n	4,4 kg

APOLLO REMADE with one reflector (180° swivelling), 1500 mm length, $R_a > 80$, color temperature 4000 K, Ta: -20°C ... +45°C.

DIM-DALI	Power	Luminous flux	Wide 90°	Medium 80°	Deep 60°	Weight
		1x44 W	7200 lm	94 * 5045w	94 * 5045m	94 * 5045n
	1x44 W	7200 lm	94 * 5049w	94 * 5040m	94 * 5040n	3,1 kg

APOLLO REMADE with two reflectors (180° swivelling), 1500 mm length, $R_a > 80$, color temperature 4000 K, Ta: -20°C ... +45°C.

ON/OFF	Power	Luminous flux	Wide 90°	Medium 80°	Deep 60°	Weight
		2x44 W	14400 lm	94 * 5005w	94 * 5005m	94 * 5005n
	2x44 W	14400 lm	94 * 5000w	94 * 5000m	94 * 5000n	4,7 kg

APOLLO G2 ULTRA with one reflector (180° swivelling), 600 mm length, $R_a > 80$, color temperature 4000 K, Ta: -20°C ... +45°C.

DIM-DALI	Power	Luminous flux	Wide 90°	Medium 80°	Deep 60°	Weight
		1x18 W	3600 lm	94 * 0132w	94 * 0132m	94 * 0132n
	1x18 W	3600 lm	94 * 0137w	94 * 0137m	94 * 0137n	2,0 kg

APOLLO G2 ULTRA with one reflector (180° swivelling), 1200 mm length, $R_a > 80$, color temperature 4000 K, Ta: -20°C ... +45°C.

ON/OFF	Power	Luminous flux	Wide 90°	Medium 80°	Deep 60°	Weight
		1x34 W	7200 lm	94 * 0134w	94 * 0134m	94 * 0134n
	1x34 W	7200 lm	94 * 0139w	94 * 0139m	94 * 0139n	2,7 kg

APOLLO G2 ULTRA with two reflectors (180° swivelling), 1200 mm length, $R_a > 80$, color temperature 4000 K, Ta: -20°C ... +45°C.

DIM-DALI	Power	Luminous flux	Wide 90°	Medium 80°	Deep 60°	Weight
		2x33 W	14400 lm	94 * 0174w	94 * 0174m	94 * 0174n
	2x33 W	11400 lm	94 * 0179w	94 * 0179m	94 * 0179n	4,4 kg

APOLLO G2 ULTRA with one reflector (180° swivelling), 1500 mm length, $R_a > 80$, color temperature 4000 K, Ta: -20°C ... +45°C.

ON/OFF	Power	Luminous flux	Wide 90°	Medium 80°	Deep 60°	Weight
		1x42 W	8900 lm	94 * 0135w	94 * 0135m	94 * 0135n
	1x42 W	8900 lm	94 * 0130w	94 * 0130m	94 * 0130n	3,1 kg

APOLLO G2 ULTRA with two reflectors (180° swivel), 1500 mm length, $R_a > 80$, color temperature 4000 K, Ta: -20°C ... +45°C.

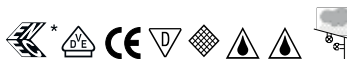
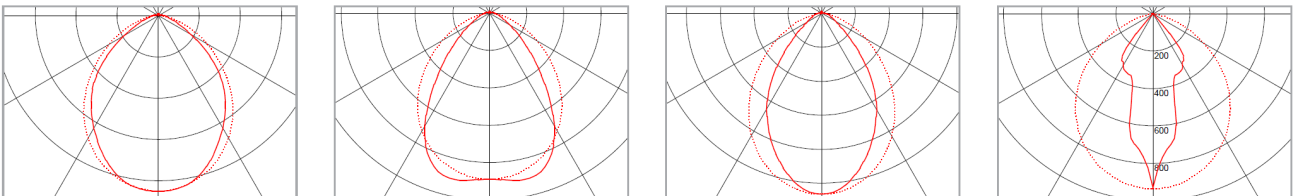
DIM-DALI	Power	Luminous flux	Wide 90°	Medium 80°	Deep 60°	Weight
		2x41 W	17800 lm	94 * 0175w	94 * 0175m	94 * 0175n
	2x41 W	17800 lm	94 * 0170w	94 * 0170m	94 * 0170n	4,7 kg



NOTE	<p>Please replace the asterisk * with the needed digit to complete the P/N!</p> <p>OTHER LIGHT COLORS AVAILABLE ON REQUEST.</p> <p>Just add the light color code to P/N. Example: 2x33W wide 90° without through-wiring/with 5000K Ra>80: 9300175w850</p> <p>Light colors differing from standard require longer delivery times. Photometric data is based on light color 840.</p>	<p>COMPLEMENTARY CODES FOR THROUGH-WIRING</p> <p>Without through-wiring</p> <p>2x1,5 mm²; for DALI 2x1,5 mm² + 2x1,5 mm² 2x2,5 mm²; for DALI 2x2,5 mm² + 2x1,5 mm² 3x1,5 mm²; for DALI 3x1,5 mm² + 2x1,5 mm² 3x2,5 mm²; for DALI 3x2,5 mm² + 2x1,5 mm² 4x1,5 mm²; for DALI 4x1,5 mm² + 2x1,5 mm² 4x2,5 mm²; for DALI 4x2,5 mm² + 2x1,5 mm² 5x1,5 mm²; for DALI 5x1,5 mm² + 2x1,5 mm² 5x2,5 mm²; for DALI 5x2,5 mm² + 2x1,5 mm²</p>	<p>Digit</p> <p>* = 0 * = 1 * = 2 * = 3 * = 4 * = 5 * = 6 * = 7 * = 8</p>
-------------	--	--	--

WHY APOLLO G2 INDUSTRY?

<p>✓ INDUSTRIAL LED BOARD</p> <p>✓ INDUSTRIAL CONVERTER</p>	▶	<p>Longer lifetime, less maintenance, higher ambient temperature</p>
---	---	--



Protection class I
 Ingress Protection IP65
 Dust-tight, water jet proof, 220-240V 50/60Hz, *registered

