

Cree® CFL Series

High performing outdoor projectors



REMARKABLE ILLUMINATION WITHOUT COMPROMISE

Easy Maintenance

Access to the driver compartment is easy and safe through external buckles integrated.

The fixture features an extra clear 4mm silk printed tempered glass flip design reaching IK08 protection without any screws in the surface. Furthermore an integrated valve on the fixture's body avoids internal fogging and frosting.

Secured Aiming

The fixtures can be adjusted tool free in steps of 10° with a graduated scale to help setting the lighting aiming accurately.

Slim, low profile design

An essential, lightweight design has been developed for the housing in order to minimize the visual impact once installed, maximizing at the same time the heat management and performances.

Cree CFL - Compact Floodlight Series

The CFL Series Floodlight improve the overall look of facades and signage. The slim, low profile design adds architectural appeal to any general flood lighting application with crisp uniform white light that offer exacting illumination performance maximizing energy savings. With remarkable light quality and smooth white light, buildings and signage will stand out in the crowd.

PERFORMANCE SUMMARY

Input Power: 40 - 250W

Lumen output: 5400 – 32000 Lumen

System efficacy: Up to >140lm/W

CCT: 4000K

Initial Colour Consistency: 5 steps MacAdam

Input Voltage: 220-240V

Mounting: Universal Bracket

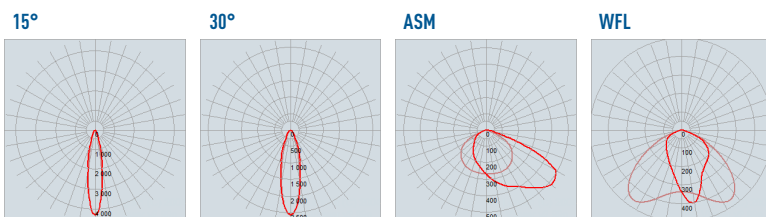
Warranty: 5 years (Extended warranty may be available for certain products. Contact ADLT)

Control options: Fixed Output

CONSTRUCTION & MATERIALS

- Die cast aluminum housing treated with electrophoresis and powder coating for strong anti-corrosion performance
- Products are tested in Salt spray chamber for 2500hrs in order to guarantee their long-lasting quality and reliability
- Extra clear silk printed tempered glass
- Bracket surface featuring hot galvanizing processing, providing strong corrosion resistance

OPTIC SELECTION



APPLICATIONS



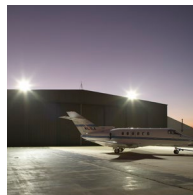
Architectural / Landscape

Parks and public spaces Enhance your public spaces with perfect on target lighting. Dramatically reduce uplight and spill-light without sacrificing nightscape appearance through advances in the primary optical system designed specifically for Cree® LEDs.



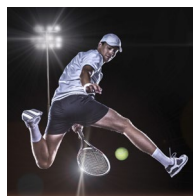
Industry

Industrial facility lighting requires an especially «intelligent» distribution of light. The warehouse, the loading and unloading area, the car park and the transit areas: all microcosmos within a single production reality, each with its own problems and thus specific lighting needs.



Parking / Area

Installing Cree® LED lighting in your car park enhances your brand and reduces total cost of ownership and the carbon footprint, while providing a more inviting shopping experience for customers.

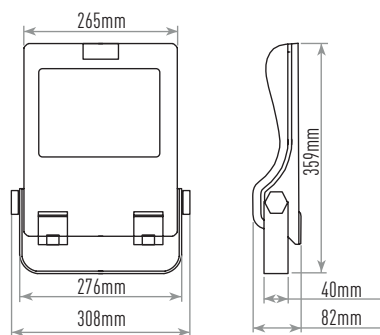


Sport facilities

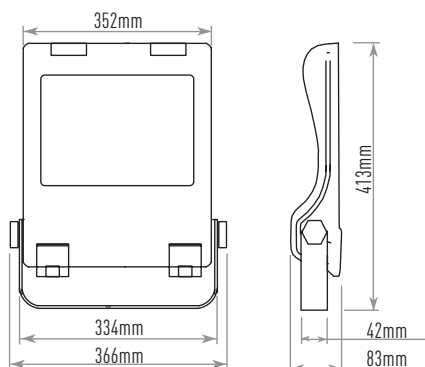
In sports venues, Cree LED lighting gives players, spectators and camera operators a clearer vista, offers excellent control of light spill and glare, and eliminates the need to constantly service fixtures.

CFL DIMENSIONS

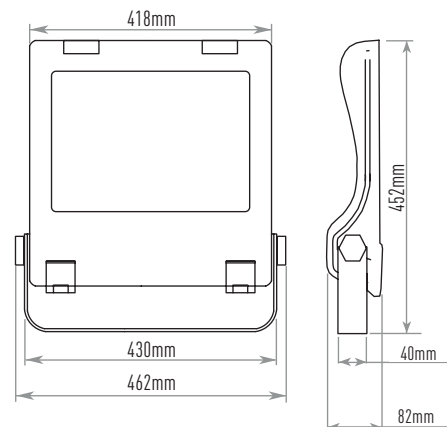
CFL small Weight: 4,3 kg



CFL medium Weight: 6,8 kg



CFL large Weight: 8,9 kg



© 2018 Cree, Inc. All rights reserved. For informational purposes only. Not a warranty or specification. See lighting.cree.com/warranty for warranty and specifications. The Cree logo is trademark of Cree, Inc. Rev. Date: 31/10/18