

304 Series

Canopy Luminaire – Mounting R



CREE LIGHTING

Product Description

Cree 304 Series is a highly versatile fixture which adapts to a wide range of applications: from gas station forecourt canopies, to industrial installations and tunnel lighting. The mounting system allows for extremely rapid and simple ceiling installation. Luminaire is constructed from rugged die cast and extruded aluminum components. LED driver is mounted in a sealed weathertight center chamber that allows for access from below the luminaire.

High performance aluminum heat sinks specifically designed for LED parking structure application. Mounting brackets designed to mount directly over existing flat ceilings for direct mount.

Applications: industrial installations, forecourt canopies, parking and tunnel lighting.



Performance Summary

Efficacy: up to 134lm/W

Initial Delivered LED Lumens: up to 17910 lm

Lifetime color consistency: 7SDCM

Limited Warranty: 10 years on luminaire

Ordering Information

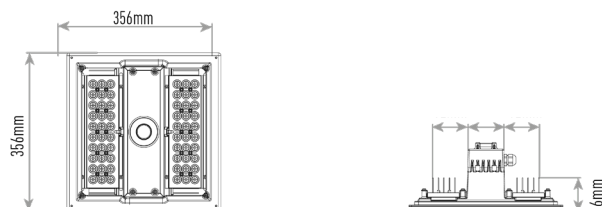
Eg: 30X-AC-R-04-F-40-S-WH+S05DSF0-FX002

30X	- AC	- R	- 04	- F	- 40	- S	- WH
Product	Optic	Mounting	LED Count	Version	CCT	Options	Finish
30X 304 Series	AC Type IV Medium	R Recessed Mount	04 40LED	F	40 4000K CRI70	S Standard program	WH White
	PR Type III Medium		06 60LED		57 5700K CRI70	D 1-10V Dimming	SV Silver
	TS Type II Short					E Occupancy Sensor Programmable Multi Level	BK Black
	QV Type V Medium						BR Bronze
	FS Petroleum Symmetric						
40 Flood 40°							

ACCESSORY INFORMATION

XA-SENSREM	HAND-HELD REMOTE
RTF-RCS-A2-304##	Retrofit Kit (Mount R)

Dimensions



304 Series

Canopy Luminaire – Mounting R



CREE LIGHTING

FEATURES

- LED Lumen output up to 17910lm
- LED module efficiency: up to 141 lm/W
- Luminaire efficiency: up to 134 lm/W
- CCT: 4000K, 5700K (CRI Minimum 70)
- MacAdam Step: 7SDCM
- Expected Lifetime (Ta=25°) : L90B10> 100.000 ore
- Degree of protection: IP66\IK08
- Overvoltage protection: up to 10kV CM/DM
- Operating temperature: -40°C up to +50°C
- Occupancy sensor option available and dimmable 1-10V

CONSTRUCTION AND MATERIALS

- Die cast aluminium housing integrated with extruded anodized aluminium components
- Mounting "R": Luminaire mounts directly to the canopy deck and is secured in place with die-cast aluminum trim frame
- Cable type H07RN-F (Cable length up to 1m)

WARRANTY AND CERTIFICATIONS

- Warranty: 10 years
- Risk group exempt
- Compliant to: EN 60598-1; EN 60598-2-3

ELECTRICAL DATA*

Lumen Package	System Watts 220-240V	Total Current	Power Factor
		@230V, 50Hz	
04	91W	0.40	0.9
06	132W	0.60	0.9

* Electrical data at 25°C (77°F)

LMF - RECOMMENDED LUMEN MAINTENANCE FACTORS (LMF)¹

Ambient	LMF iniziale	25K hr Projected ² LMF	50K hr Projected ² LMF	75K hr Calculated ³ LMF	100K hr Calculated ³ LMF
25°C	1,00	1,00	0,98	0,95	0,93

¹ Lumen maintenance values calculated at 25° C, with TM-21 based on LM-80 data and on-site testing.

² In accordance with IESNA TM-21-11, the values shown in the "projected" column represent interpolated and arc values within six times (6X) the total duration in hours of the tests (performed according to IESNA LM-80-08) to which the device has been subjected ((DUT) e.g. the LED chip).

³ In accordance with IESNA TM-21-11, the values shown in the column "calculated" are calculated based on a time span greater than six times (6X) the total duration in hours of the tests (performed according to IESNA LM-80-08) to which the device has been subjected ((DUT) e.g. the LED chip).

304 Series

Canopy Luminaire – Mounting R



Control options

FX - FIXED OUTPUT 40LED				
Setting Code	System Watts W	Nominal flux (lm)		Description
		4000K Ra70	5700K Ra70	
S05DSFO-FX002	46	6209	6044	FIXED 350MA MAX 46W
S05DSFO-FX003	56	7403	7206	FIXED 425MA MAX 56W
S05DSFO-FX004	63	8358	8136	FIXED 475MA MAX 63W
S05DSFO-FX005	69	9194	8950	FIXED 525MA MAX 69W
S05DSFO-FX006	73	9552	9298	FIXED 550MA MAX 73W
S05DSFO-FX007	75	10030	9763	FIXED 575MA MAX 75W
S05DSFO-FX008	82	10865	10577	FIXED 625MA MAX 82W
S05DSFO-FX009	85	11104	10809	FIXED 650MA MAX 85W
S05DSFO-FX010	91	11940	11623	FIXED 700MA MAX 91W

VM - VIRTUAL MIDNIGHT - 40LED							
Setting Code	W Max	Nominal flux (lm)		W Min	Nominal flux (lm)		Description
		4000K Ra70	5700K Ra70		4000K Ra70	5700K Ra70	
S05DSFO-VM001	69	9194	8950	25	3224	3138	VM ON-525MA 69W / 21:00-175MA 25W / 04:00-525MA 69W
S05DSFO-VM002	69	9194	8950	46	6209	6044	VM ON-525MA 69W / 21:00-350MA 46W / 04:00-525MA 69W
S05DSFO-VM003	46	6209	6044	25	3224	3138	VM ON-350MA 46W / 21:00-175MA 25W / 04:00-350MA 46W
S05DSFO-VM004	91	11940	11623	46	6209	6044	VM ON-700MA 91W / 21:00-350MA 46W / 04:00-700MA 91W
S05DSFO-VM005	91	11940	11623	69	9194	8950	VM ON-700MA 91W / 21:00-525MA 69W / 04:00-700MA 91W
S05DSFO-VM006	91	11940	11623	25	3224	3138	VM ON-700MA 91W / 21:00-175MA 25W / 04:00-700MA 91W

FX - FIXED OUTPUT 60LED				
Setting Code	System Watts W	Nominal flux (lm)		Description
		4000K Ra70	5700K Ra70	
S05FSFO-FX002	66	9313	9066	FIXED 350MA MAX 66W
S05FSFO-FX003	81	11104	10809	FIXED 425MA MAX 81W
S05FSFO-FX004	91	12537	12204	FIXED 475MA MAX 91W
S05FSFO-FX005	100	13791	13424	FIXED 525MA MAX 100W
S05FSFO-FX006	106	14328	13947	FIXED 550MA MAX 106W
S05FSFO-FX007	110	15044	14645	FIXED 575MA MAX 110W
S05FSFO-FX008	119	16298	15865	FIXED 625MA MAX 119W
S05FSFO-FX009	123	16656	16214	FIXED 650MA MAX 123W
S05FSFO-FX010	132	17910	17434	FIXED 700MA MAX 132W

VM - VIRTUAL MIDNIGHT - 60LED							
Setting Code	W Max	Nominal flux (lm)		W Min	Nominal flux (lm)		Description
		4000K Ra70	5700K Ra70		4000K Ra70	5700K Ra70	
S05FSFO-VM001	100	13791	13424	36	4836	4707	VM ON-525MA 100W / 21:00-175MA 36W / 04:00-525MA 100W
S05FSFO-VM002	100	13791	13424	66	9313	9066	VM ON-525MA 100W / 21:00-350MA 66W / 04:00-525MA 100W
S05FSFO-VM003	66	9313	9066	36	4836	4707	VM ON-350MA 66W / 21:00-175MA 36W / 04:00-350MA 66W
S05FSFO-VM004	132	17910	17434	66	9313	9066	VM ON-700MA 132W / 21:00-350MA 66W / 04:00-700MA 132W
S05FSFO-VM005	132	17910	17434	100	13791	13424	VM ON-700MA 132W / 21:00-525MA 100W / 04:00-700MA 132W
S05FSFO-VM006	132	17910	17434	36	4836	4707	VM ON-700MA 132W / 21:00-175MA 36W / 04:00-700MA 132W

304 Series

Canopy Luminaire – Mounting R

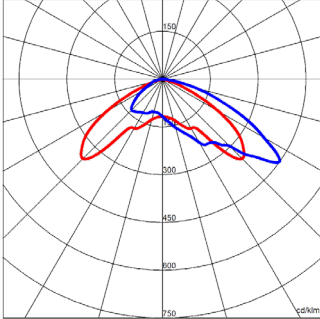


CREE LIGHTING

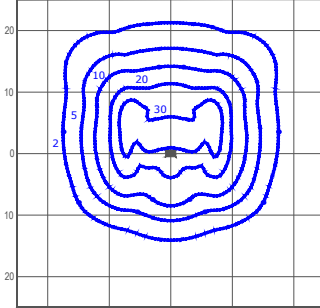
Photometry

All published luminaire photometric testing performed by an external certified ISO 17025 laboratory. To obtain an IES file specific to your project consult: www.creelighting-europe.com

AC - Type IV Medium



Test Report #: 1518-QL21-R05



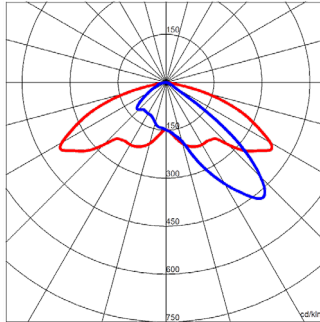
30X-AC-R-06-F
Mounting Height: 8m

LUMEN OUTPUT - AC (Type IV Medium)

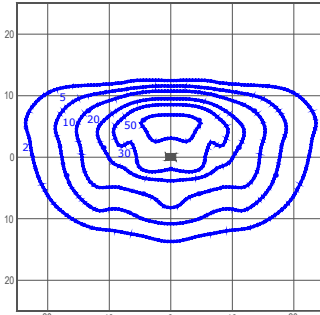
Lumen Package	4000K Ra70	5700K Ra70
	Initial Delivered Lumens*	Initial Delivered Lumens*
04	9897	9634
06	14846	14452

* Initial delivered lumens at 25°C (77°F). Actual production yield may vary between -4 and +10% of initial delivered lumens

TS - Type II Short



Test Report #: 1518-QL21-R04



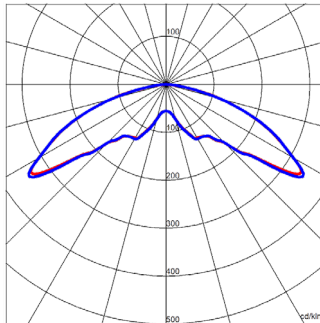
30X-TS-R-06-F
Mounting Height: 8m

LUMEN OUTPUT -TS (Type II Short)

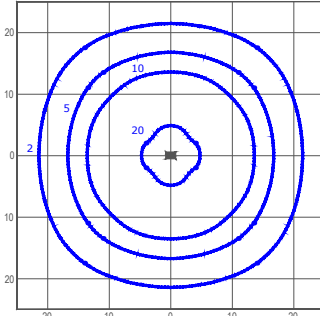
Lumen Package	4000K Ra70	5700K Ra70
	Initial Delivered Lumens*	Initial Delivered Lumens*
04	10356	10081
06	15534	15121

* Initial delivered lumens at 25°C (77°F). Actual production yield may vary between -4 and +10% of initial delivered lumens

QV - Type V MEDIUM



Test Report #: 1518-QL21-R03



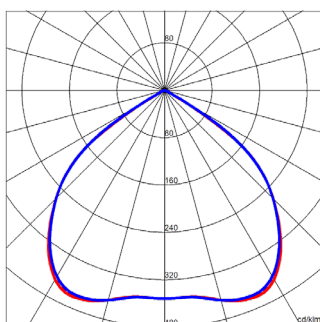
30X-QV-R-06-F
Mounting Height: 8m

LUMEN OUTPUT - QV (Type V Medium)

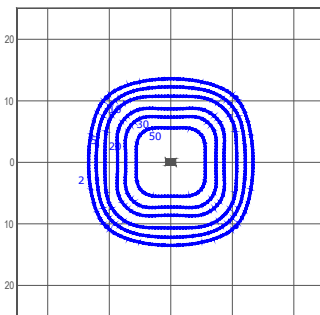
Lumen Package	4000K Ra70	5700K Ra70
	Initial Delivered Lumens*	Initial Delivered Lumens*
04	10356	10081
06	15534	15121

* Initial delivered lumens at 25°C (77°F). Actual production yield may vary between -4 and +10% of initial delivered lumens

FS - Petroleum Symmetric



Test Report #: 1518-QL21-R02



30X-FS-R-06-F
Mounting Height: 8m

LUMEN OUTPUT - FS PETROLEUM SYMMETRIC

Lumen Package	4000K Ra70	5700K Ra70
	Initial Delivered Lumens*	Initial Delivered Lumens*
04	11377	11075
06	17065	16612

* Initial delivered lumens at 25°C (77°F). Actual production yield may vary between -4 and +10% of initial delivered lumens

© 2022 Cree Lighting International S.P.A.;
All rights reserved. For informational purposes only.
Content is subject to change.