

Urban lighting

SOUL180



LUMINAIRE



- Die-cast aluminium body (EN 47100).
- Extruded aluminium pole.
- Double layer polyester powder paint resistant to corrosion and salt spray fog.
- Silicone rubber gaskets.
- AISI 316 stainless steel external screws.
- PMMA lenses for LEDs.
- Screen made of 4mm thermal-shock resistant tempered glass.
- High quality LED sources characterized according to IES TM-30, with high color consistency <3SDCM and long useful life >60000 hours at L80.
- It complies with standards EN 60598-1 and EN 60598-2-1.

INSTALLATION

- Urban lighting installation.
- Zinc-coated steel basement for ground anchoring for rawlplugs.
- Supplied with power cable.

These fittings are suitable for the modern control systems.
For the various possibilities, please see section "Controlling the light".

Different accessories to be ordered separately.

STANDARD PRODUCT		AVAILABLE OPTIONS	
Wiring	ON/OFF (A)	DALI (B), ON/OFF-E (G)	
CCT	4000K (-840)	3000K (-830)	
Colour	 16	 21	



Urban lighting

SOUL180

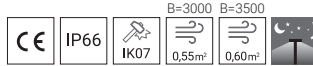
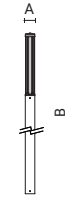
Fitting without ground anchorage, fastening is required. Cod. 1099003X available.



STANDARD COLOUR

● 16

DIMENSIONS



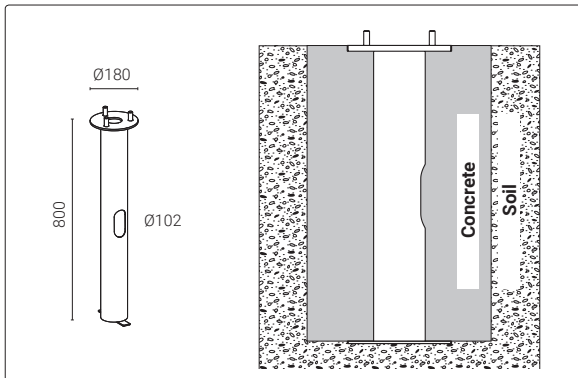
Code	Optic	Luminaire	CCT	CRI	Class	Wiring	Power Supply	A mm	B mm	C mm
0864001A-840-16	type V	27W, 2100lm	4000K	80	☐	ON/OFF	220-240V 50/60Hz	182	3000	-
0864002A-840-16	type V	27W, 2100lm	4000K	80	☐	ON/OFF	220-240V 50/60Hz	182	3500	-

The **photo** represents the family product range. You can see the correct image of each product (code) on the website.

LED driver included.

Available on request: versions with Smart Function.

ACCESSORIES



Code	Kg
1099003X	5,00

Zinc-coated steel pillar.



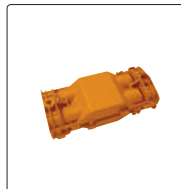
Code	Kg
1099407X	0,08

IP68 junction box - 4 ways - 4/5 poles.



Code	Kg
1099408X	0,03

IP68 linear joint - 2 ways - 2 poles.



Code	Kg
1099259X	0,05

Junction box IP68 - 4 ways - 2/3 poles

