

Urban lighting

QUADRIO180



LUMINAIRE



- Die-cast aluminium body (EN 47100).
- Extruded aluminium pole.
- Double layer polyester powder paint resistant to corrosion and salt spray fog.
- Silicone rubber gaskets.
- AISI 316 stainless steel external screws.
- Knife-switch for automatic power disconnection when opened.
- Driver protected against voltage surges up to 4kV.
- PMMA lenses for LEDs.
- Screen in opal PMMA stabilized against UV rays or in 5 mm thick tempered glass resistant to thermal shocks.
- High quality LED sources characterized according to IES TM-30, with high color consistency <3SDCM and long useful life >60000 hours at L80.
- It complies with standards EN 60598-1 and EN 60598-2-1.

INSTALLATION


- At ground installation.
- Zinc-coated steel basement for ground anchoring for rawlplugs.
- Supplied with power cable.
- Supplied complete with inspection slit with junction box and fuse terminal block (6.3A fuse, 5x20mm, included).

These fittings are suitable for the modern control systems. For the various possibilities, please see section "Controlling the light".

Different accessories to be ordered separately.

STANDARD PRODUCT		AVAILABLE OPTIONS	
Wiring	ON/OFF (A)	DALI (B), BIP (E)	
CCT	4000K (-840)	3000K (-830)	
Colour	 16	 21	



 Rochdale Police Station - Greater Manchester, United Kingdom

Urban lighting

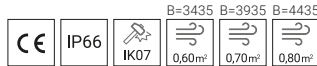
QUADRIO180

PERFORMANCE

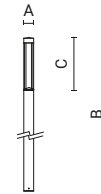


STANDARD COLOUR

● 16



DIMENSIONS



Code	Optic	Luminaire		CRI	CCT	Class	Wiring	Power Supply	A mm	B mm	C mm
		Watt	Lumen								
0868005A-840-16	type VS	37W	2350lm	80	4000K	□	ON/OFF	220-240V 50/60Hz	180	3435	1121
0868006A-840-16	type VS	37W	2350lm	80	4000K	□	ON/OFF	220-240V 50/60Hz	180	3935	1621
0868007A-840-16	type VS	37W	2350lm	80	4000K	□	ON/OFF	220-240V 50/60Hz	180	4435	1621

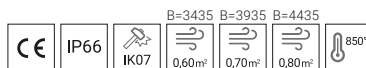
The **photo** represents the family product range. You can see the correct image of each product (code) on the website.

COMFORT

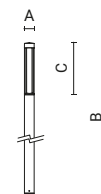


STANDARD COLOUR

● 16



DIMENSIONS



Code	Optic	Luminaire		CRI	CCT	Class	Wiring	Power Supply	A mm	B mm	C mm
		Watt	Lumen								
0868002A-840-16	type VS	45W	2550lm	80	4000K	□	ON/OFF	220-240V 50/60Hz	180	3435	1121
0868003A-840-16	type VS	45W	2550lm	80	4000K	□	ON/OFF	220-240V 50/60Hz	180	3935	1121
0868004A-840-16	type VS	45W	2550lm	80	4000K	□	ON/OFF	220-240V 50/60Hz	180	4435	1621

The **photo** represents the family product range. You can see the correct image of each product (code) on the website.

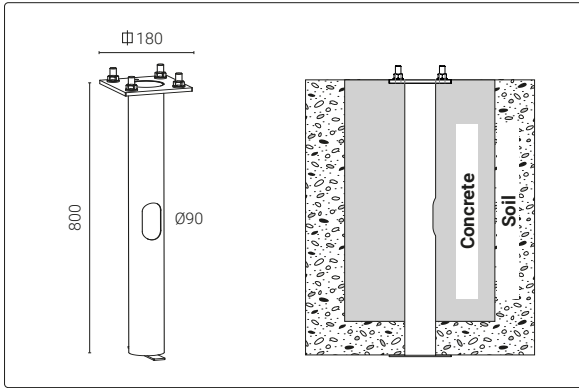
LED driver included.

Available on request: versions with Smart Function.

Available on request: emergency versions.

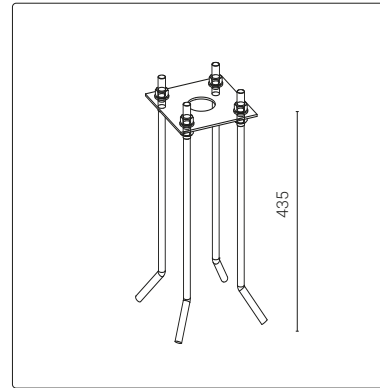
QUADRIO180

ACCESSORIES



Code	Kg
1099403X	400

Zinc-coated steel pillar.



Code	Kg
1099412X-16	400

Galvanized and painted steel base plate with galvanized steel stud bolts.

