

Urban lighting

CONO





LUMINAIRE

- Die-cast aluminium body (EN 47100).
- Double layer polyester powder paint resistant to corrosion and salt spray fog.
- Silicone rubber gaskets.
- AISI 316 stainless steel external screws.
- Wiring on removable galvanized steel tray.
- Driver protected against voltage surges up to 4kV.
- PMMA lenses for LEDs.
- Screen made of 5mm thermal-shock resistant tempered glass.
- Goniometer scale to aim light.
- High quality LED sources characterized according to IES TM-30, with high color consistency <3SDCM and long useful life >60000 hours at L80.
- It complies with standards EN 60598-1 and EN 60598-2-3.

INSTALLATION

- Installation on bracket (Ø60mm reduction).
- Supplied with power cable ended (0.15m) by IP66 socket-plug connector with locking ring for cables of diameter 9-12mm.

These fittings are suitable for the modern control systems. For the various possibilities, please see section "Controlling the light".

STANDARD PRODUCT		AVAILABLE OPTIONS	
Wiring	ON/OFF (A)	DALI (B), BIP (E)	
CCT	4000K (-840)	3000K (-830)	
Colour	 21	 16	



Photorealistic rendering.

Urban lighting

CONO

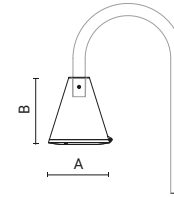






STANDARD COLOUR

● 21



DIMENSIONS



Code	Optic	Luminaire		CRI	CCT	Class	Wiring	Power Supply	A mm	B mm	C mm
		Watt	Lumen								
0883002A-840-21	 type I	35W	3650lm	80	4000K	□	ON/OFF	220-240V 50/60Hz	300	330	-
0883003A-840-21	 type III	35W	3850lm	80	4000K	□	ON/OFF	220-240V 50/60Hz	300	330	-
0883000A-840-21	 type VS-M	35W	4100lm	80	4000K	□	ON/OFF	220-240V 50/60Hz	300	330	-
0883001A-840-21	 type VS-W	35W	3600lm	80	4000K	□	ON/OFF	220-240V 50/60Hz	300	330	-

The **photo** represents the family product range. You can see the correct image of each product (code) on the website.

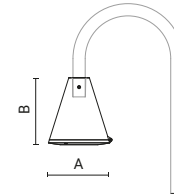






STANDARD COLOUR

● 21



DIMENSIONS



Code	Optic	Luminaire		CRI	CCT	Class	Wiring	Power Supply	A mm	B mm	C mm
		Watt	Lumen								
0883010A-840-21	 type I	35W	3100lm	80	4000K	□	ON/OFF	220-240V 50/60Hz	300	330	-
0883011A-840-21	 type III	35W	3400lm	80	4000K	□	ON/OFF	220-240V 50/60Hz	300	330	-
0883008A-840-21	 type VS-M	35W	2750lm	80	4000K	□	ON/OFF	220-240V 50/60Hz	300	330	-
0883009A-840-21	 type VS-W	35W	3800lm	80	4000K	□	ON/OFF	220-240V 50/60Hz	300	330	-

The **photo** represents the family product range. You can see the correct image of each product (code) on the website.

LED driver included.

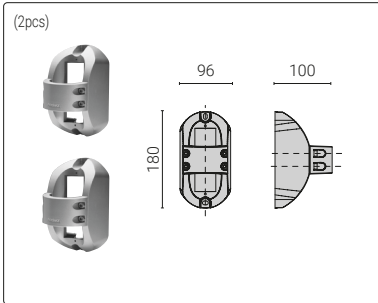


Photorealistic rendering.

Urban lighting

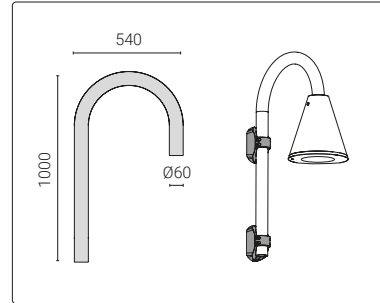
CONO

ACCESSORIES



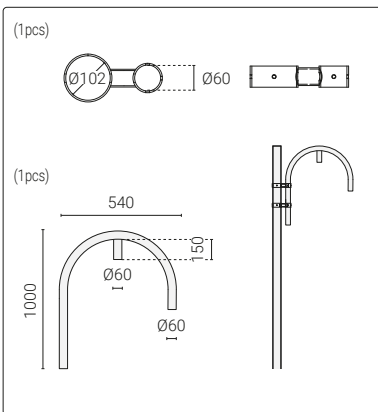
Code	Kg
1099086X-21	0,86

Wall bracket for
Ø 60 mm arm.



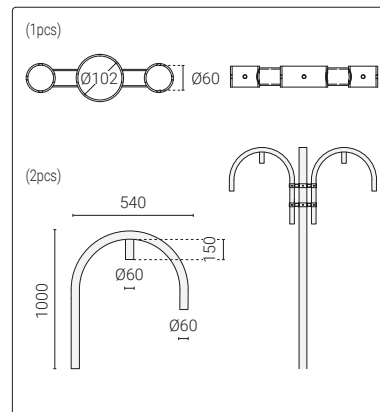
Code	Kg
1099067X-21	7,10

Ø 60 mm arm.



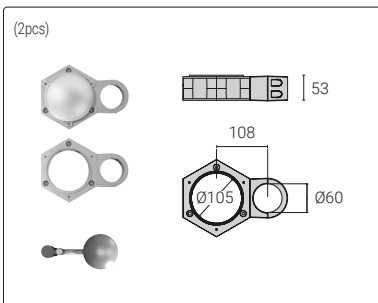
Code	Kg
1099424X-21	2,80

Single pole attachment
with curved arm in
painted steel.



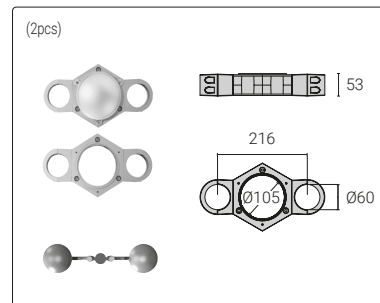
Code	Kg
1099425X-21	5,65

Double pole attachment
with curved arms
in painted steel.



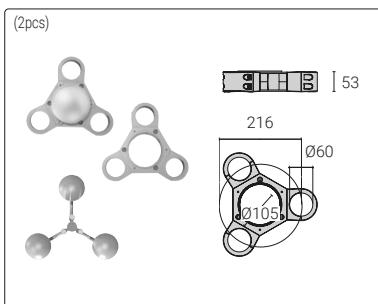
Code	Kg
1099071X-21	1,80

Pole bracket for 1 light
fitting
for Ø 102 mm pole.



Code	Kg
1099073X-21	2,33

Pole bracket for 2 light
fittings
for Ø 102 mm pole.



Code	Kg
1099076X-21	2,55

Pole bracket for 3 light
fittings
for Ø 102 mm pole.



Photorealistic rendering.

